

Bourdon Tube Pressure Gauge Type 111.11 Compressed Gas Regulator Gauge Standard Series

WIKA Datasheet 111.11

Applications

- Compressed gas regulators
- Beverage dispensing machines
- Suitable for all media that will not obstruct the pressure system or attack copper alloy parts

Product features

- UL-listed (UL-252a or UL-404)
- Polished brass or gold-painted steel case
- Cleaned for use in oxygen service

Specifications

Design

ASME B40.100

Sizes

1½", 2" & 2½" (41, 53 & 68 mm)

Accuracy class

± 3/2/3% of span (ASME B40.100 Grade B)

Ranges

Vacuum / Compound to 200 psi (16 bar)
Pressure from 15 psi (1 bar) to 6,000 psi (400 bar)
or other equivalent units of pressure or vacuum

Working pressure

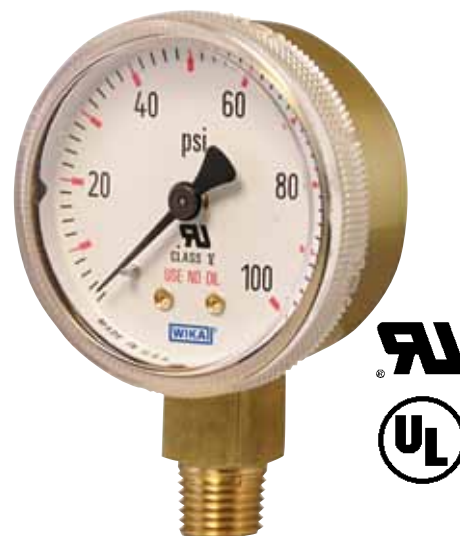
Steady: 3/4 of full scale value
Fluctuating: 2/3 of full scale value
Short time: full scale value

Operating temperature

Ambient: -40°F to 140°F (-40°C to 60°C)
Media: 140°F (+60°C) maximum

Temperature error

Additional error when temperature changes from reference temperature of 68°F (20°C) ±0.4% of span for every 18°F (10°K) rising or falling.



Bourdon Tube Pressure Gauge Type 111.11

Pressure connection

Material: Copper-Alloy
Lower Mount (LM): 1½", 2" and 2½"
Center Back Mount (CBM); 1½" and 2"
1/8" NPT, 1/4" NPT, limited to wrench flat area

Bourdon Tube

Material: copper alloy
≤ 870 psi (60 bar): C-shape
> 870 psi (60 bar): Helical

Movement

Copper alloy

Dial

White aluminum with stop pin and black lettering
"USE NO OIL" in red

Pointer

Black aluminum, non-adjustable

Case

1½": gold-painted steel
2" & 2½": SS ZrN coated (= brass polished look) or gold-painted steel

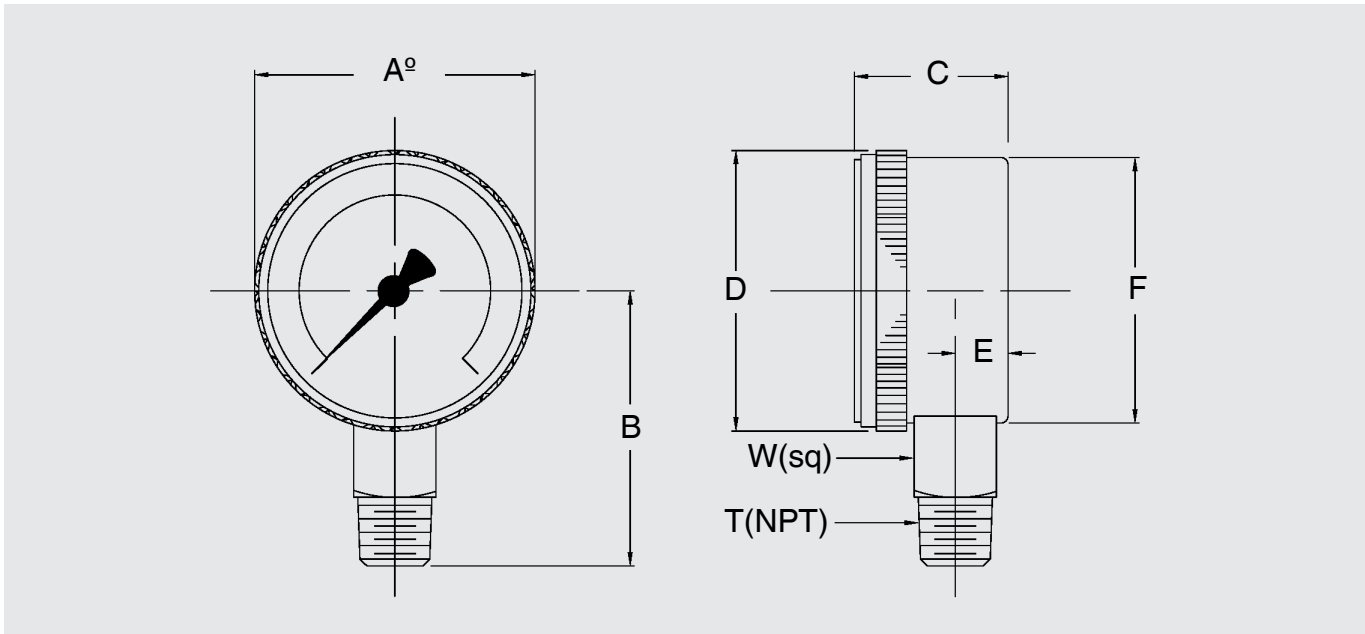
Window

Twist-lock clear polycarbonate

Optional Extras

- Brass restrictor (Std. for ranges 1,500 psi and higher)
- Special case colors
- Nickel-plated socket
- Chrome-plated steel case
- Chrome-plated ABS case
- Black ABS case
- Stainless steel case (2" size only)
- Special threaded connection
- Custom dial layout
- Heat sealed bag, thread cap and "oxygen cleaned" label
- Other pressure scales available:
bar, kPa, MPa, kg/cm² and dual scales

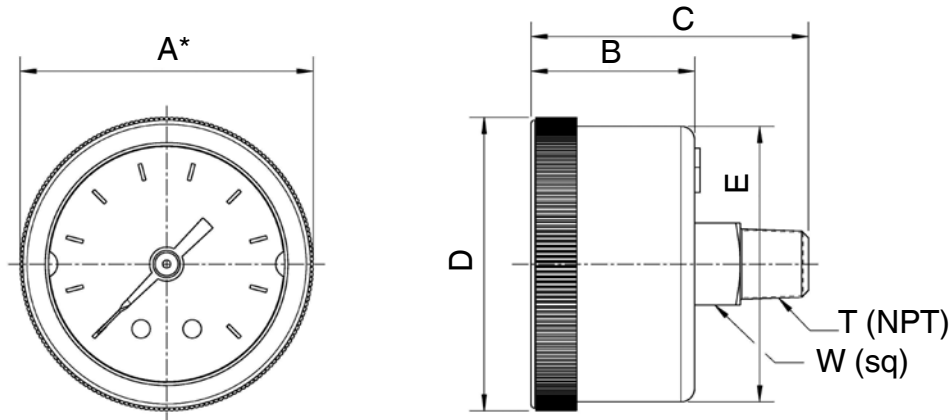
Dimensions - 1½", 2" and 2½" Lower Mount (LM)



Size		A	B	C ¹	D	E ¹	F	T	W	Weight
1.5"	mm	41	36.6	24	42.9	9	40	-	12	
	in	1.5	1.44	0.94	1.69	0.35	1.57	1/8"	0.47	0.14 lb
2"	mm	53	54	29	58	10.5	50.8	-	14	
	in	2.0	2.12	1.14	2.28	0.42	2.0	1/4"	0.55	0.24 lb
2.5"	mm	68	60	31	72.4	12	67.6	-	14	
	in	2.5	2.36	1.22	2.85	0.47	2.66	1/4"	0.55	0.33 lb

¹ For 2½" painted steel case, C dimension changes to 1.14" (29 mm), and E dimension changes to 0.35" (9 mm)

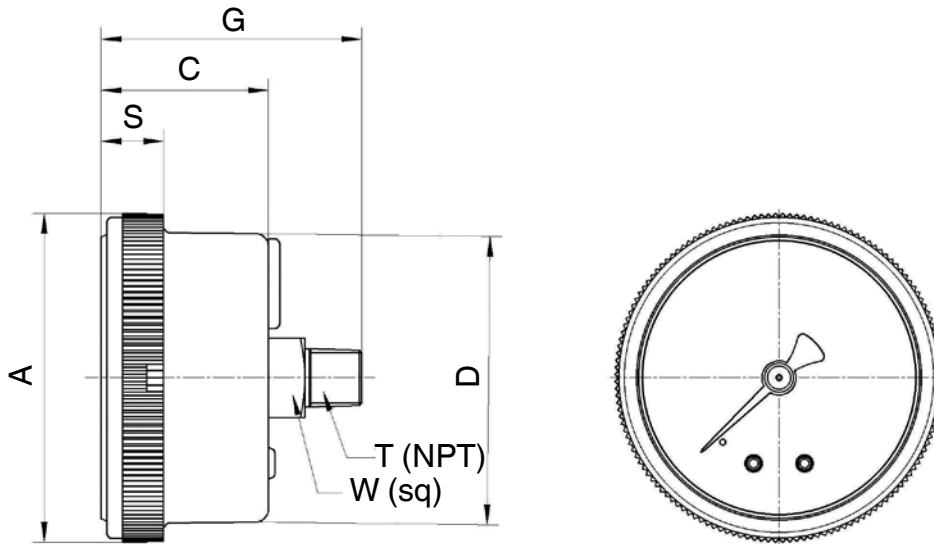
Dimensions - 1½" Center Back Mount (CBM)



* = nominal size

Size		A*	B	C	D	E	T	W	Weight
1.5"	mm	41	24	40.6	42.9	40.6	-	12	
	in	1.5	0.94	1.60	1.69	1.6	1/8"	0.47	0.14 lb

Dimensions - 2" Center Back Mount (CBM)



Size		A	C	D	G	S	T	W	Weight
2"	mm	57.8	29	50.7	48.3	11	-	14	
	in	2.275	1.14	2	1.9	0.43	1/8" or 1/4"	0.44	0.24 lb

Ordering information

Pressure gauge model / Nominal size / Scale range / Size of connection / Optional extras required.
 Specifications and dimensions given in this leaflet represent the state of engineering at the time of printing.
 Modifications may take place and materials specified may be replaced by others without prior notice.



WIKA Instrument, LP
 1000 Wiegand Boulevard
 Lawrenceville, GA 30043-5868
 Tel: 888-WIKA-USA • 770-513-8200
 Fax: 770-338-5118
 E-Mail: info@wika.com
 www.wika.com